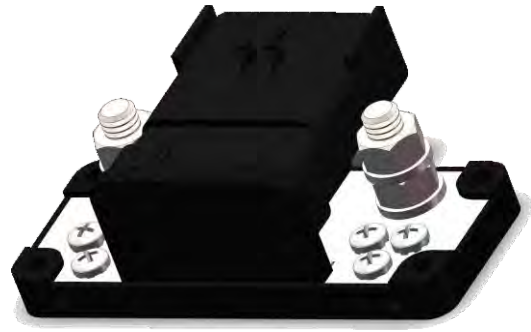


FCI 14-Way Connection System

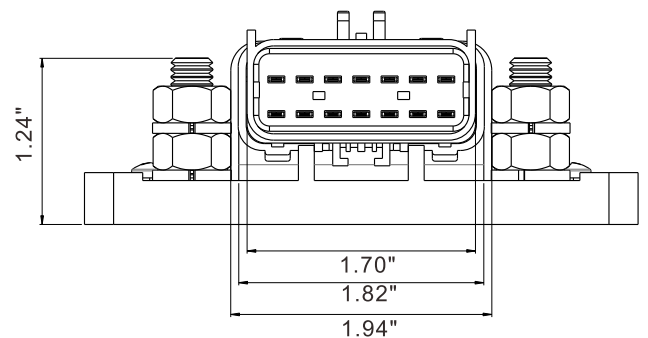
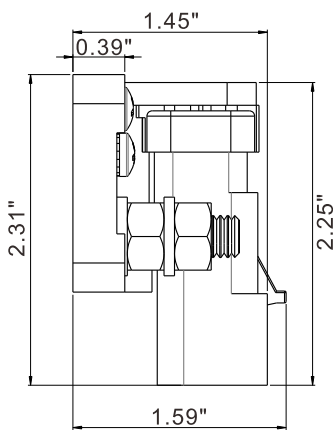
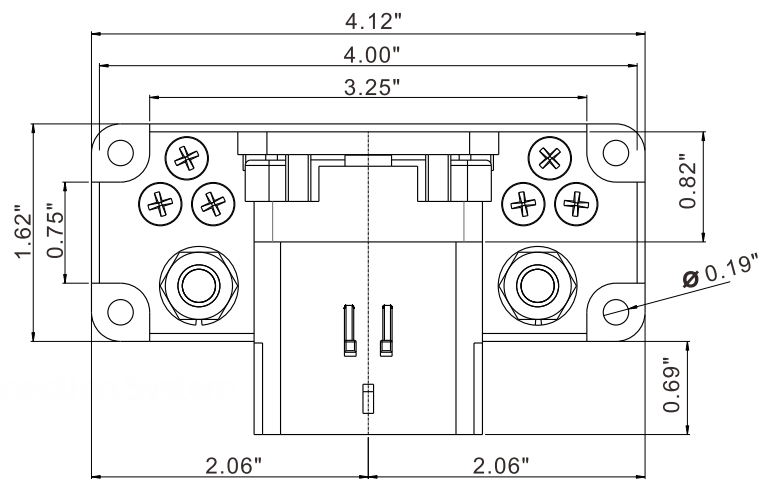
150A @ 48V DC



Specification

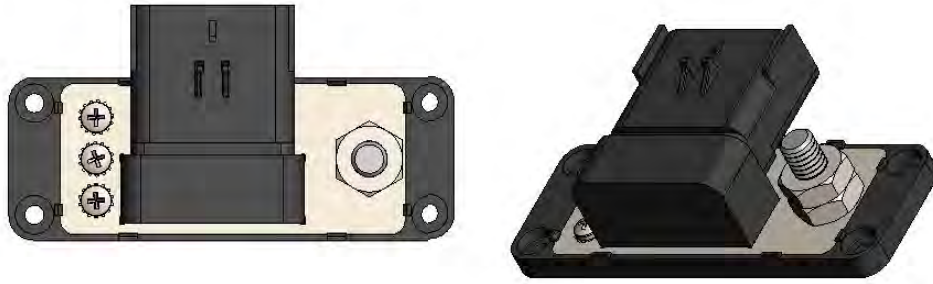
- ▶ Current Rating : 150A @ 48V DC
- ▶ Number of Positions : Male 14 Position
- ▶ Wire Gage Range : 20 AWG to 12 AWG
- ▶ Terminal Size : 2.8 mm
- ▶ Housing Material : Polyamide (PA)
- ▶ Sealing Protection : IP68
- ▶ Temperature Rating of Material : -40°C to +125°C
- ▶ Input Connector : Male 54201415
- ▶ Mate Connector : Female 54201411
- ▶ Plate : 2mm thick Copper with tin-plated
- ▶ Stud : Stainless Steel 3/8"
- ▶ Base : RETPU Overmolded
- ▶ Mounting Holes (4) : Ø 0.19"

#2314-B-000



FCI 14-Way Connection System

150A @ 48V DC



Specification

- ▶ Current Rating : 150A @ 48V DC
- ▶ Number of Positions : Male 14 Position
- ▶ Wire Gage Range : 20 AWG to 12 AWG
- ▶ Terminal Size : 2.8 mm
- ▶ Housing Material : Polyamide (PA)
- ▶ Sealing Protection : IP68
- ▶ Temperature Rating of Material : -40°C to +125°C
- ▶ Input Connector : Male 54201415
- ▶ Mate Connector : Female 54201411
- ▶ Plate : 2mm thick Copper with tin-plated
- ▶ Stud : Stainless Steel 3/8"
- ▶ Base : RETPU Overmolded
- ▶ Mounting Holes (4) : $\varnothing 0.20"$

#2314-B-001

