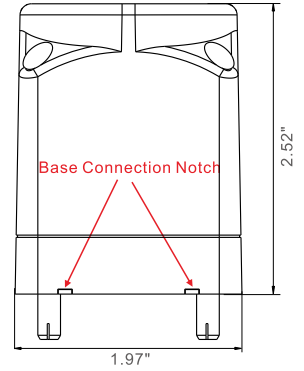
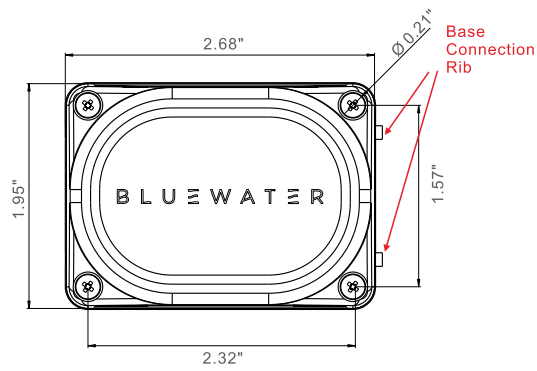
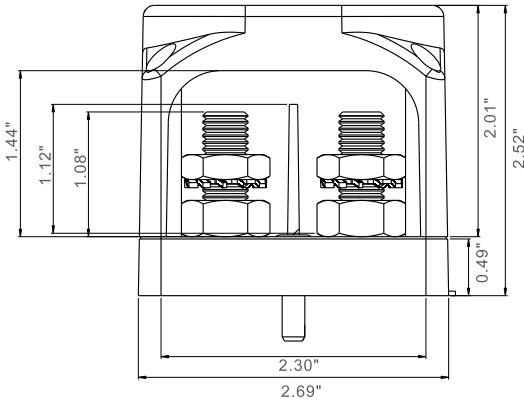
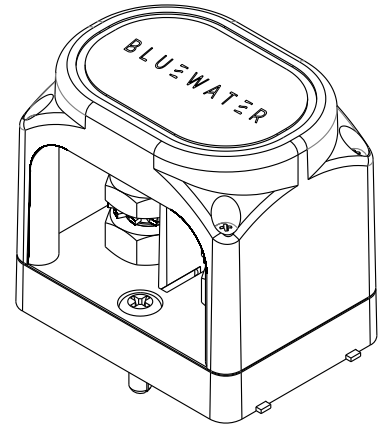
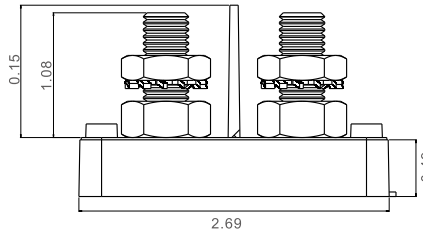
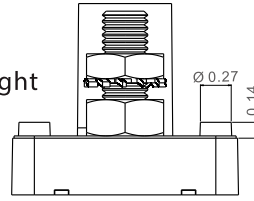


## Insulated Dual Stud Module

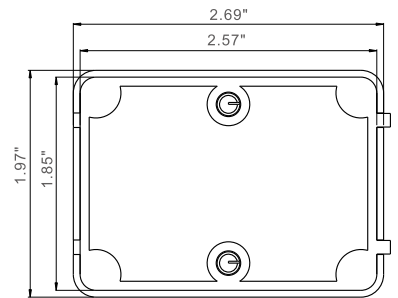
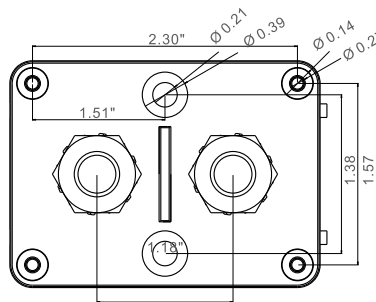
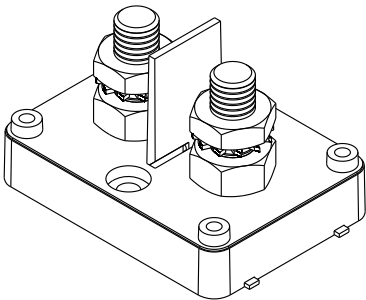


### Specification

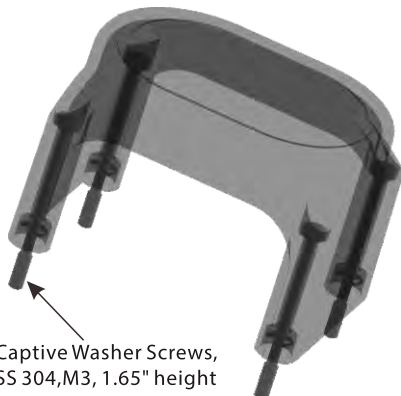
- ▶ Made with high temperature plastic base/cover PC-V2
- ▶ Insulated Distribution Stud, SS 304 Dual M10, 1.08" height
- ▶ Base: PC-V2, 2.69x1.97x1.61" Studs with divider
- ▶ Nuts: 2x Stainless Steel 304, 2x SS 304 Lock Washer  
2x Copper UNS C11000 Tin Plated 0.03~0.05um
- ▶ Bases can be connected with Base Ribs & Notchs
- ▶ Base with two center mounting holes 0.21"
- ▶ Cover with 4 Captive Washer Screws, SS 304, M3, 1.65" height
- ▶ Cover material: PC-V0 125°C
- ▶ Cover with 2 open windows 2.0" x 1.44"



### Busbar Part #312311-B-020



### Cover Part #312311-B-021



Captive Washer Screws, SS 304, M3, 1.65" height

