

## Common Busbar

5 Gang 100Amp

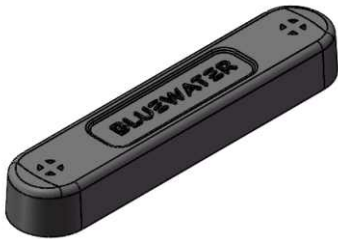
### Features

- ▶ Common 5 Gang Terminal Blocks.
- ▶ Current Rated up to 100 Amp.
- ▶ 1/4" Stud Size Stainless Steel
- ▶ Mounting Holes 0.20", take 1/4" Screws  
Distance between mounting holes : 3.56"
- ▶ Busbar Part # : 312314-B-020
- ▶ Cover Part # : 312314-B-021

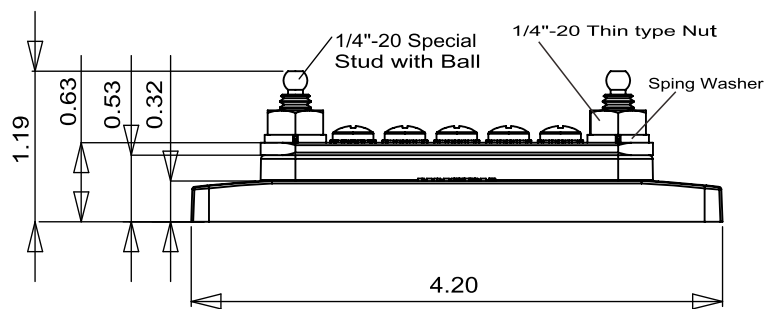
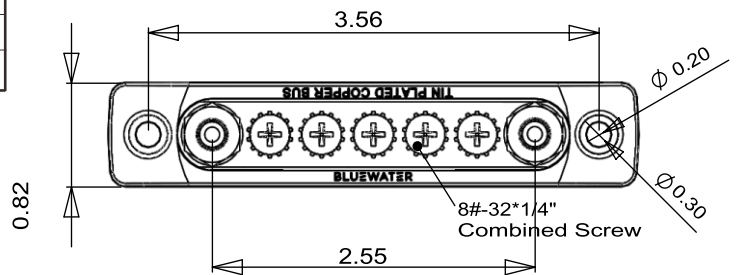
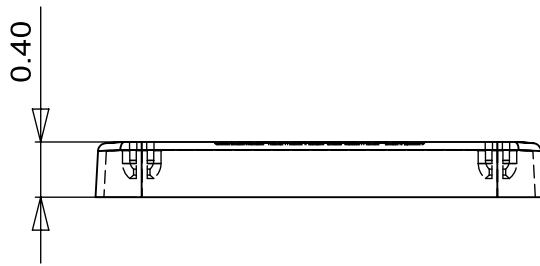
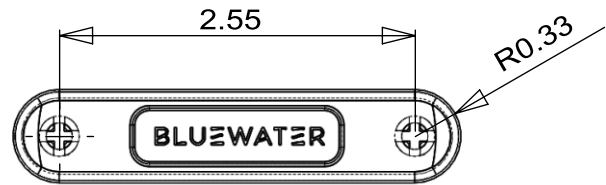
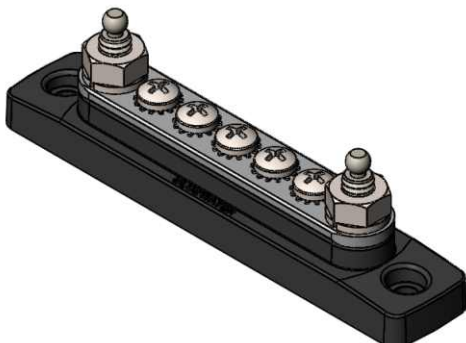
### Specification

|                       |                                       |
|-----------------------|---------------------------------------|
| Maximum Voltage       | 300V AC / 48V DC                      |
| Terminal Studs        | 2                                     |
| Terminal Type         | 1/4"-20 Stud #8-32 Screw              |
| Terminal Stud Torque  | 140 in-lb (15.82 Nm)                  |
| Continuous Rating     | 130A AC / 150A DC                     |
| Base Material         | Black Polycarbonate 94V-0             |
| Cover Material        | Clear Polycarbonate 94V-0             |
| Bus Material          | Tin-Plated Copper<br>CDA 110/UNS11000 |
| Screw Terminal Torque | 15 in-lb (1.69 Nm)                    |
| Stud Torque           | 18in-lb (2.03 Nm)                     |
| Weight                | 0.126lb (0.06 kg)                     |

### Cover Part #: 312314-B-021



### Base Part #: 312314-B-020



\* We reserve the right to change specifications at any time without incurring any obligations!