

## Solenoid Remote Battery Switch

9805-7700 / 12VDC

### Features

Parts # 9805-7700 / 12VDC

- ▶ Solenoid Latching: No current draw in ON or OFF state.
- ▶ Silver Alloy Contacts provide high reliability for switching loads.
- ▶ Manual control override knob: allowing control with or without power, offering LOCK OFF / REMOTE capability.
- ▶ LED output indicate the switch state.
- ▶ Tin-Plated copper studs for max. conductivity and corrosion resistance.

### Specification

Control Voltage	9 - 16V DC
Amp Operating Current	0 mA continuous 7A changing state (20mS)
Terminal Stud Size	3/8" - 16
Terminal Stud Torque	140 in-lb (15.8 N•m) max.
Ring Dia. Clearance	1.18" (30mm)
Live Current Switching	10,000 @ 12V, 300A 10,000 @ 24V, 150A 2,000 @ 48V, 100A
SMechanical Switching	10,000 Cycles
Remote Switch	Momentary SPDT (ON)-OFF-(ON)
Regulatory Meets	ISO 8846, SAE J1171, CE, IP66

### Wire Size & Current Ratings

Wire Size	Cracking 30 sec.	Intermittent 5 Min.	Continuous (UL 1107)
2/0 AWG (70mm <sup>2</sup> )	1,000A	400A	225A
4/0 AWG (120mm <sup>2</sup> )	1,100A	400A	300A
2x4/0 AWG (2x120mm <sup>2</sup> )	1,450A	700A	500A

### Installation

- ▶ **Mounting:** Install as close to battery bank, mount in a dry and protected location, .

- ▶ **Connection:** Stud terminals A and B are interchangeable. The load can be connected to A or B; the battery bank can be connected to A or B.

**NOTE:** The circuit wires must have circuit protection to comply with ABYC guidelines if switching an inverter, windlass, bow thruster, etc., Used for engine starting do not require!

- ▶ Remote control by momentary SPDT switch or two momentary push button switches. Use minimum 16 AWG wire for wiring.

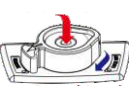
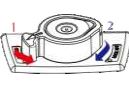
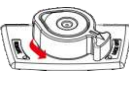
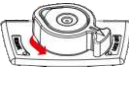
#### Wiring:

1. RED : +VDC, through a 10A (min) circuit protection device to DC+, direct connection to the battery.
2. BLACK : To DC ground.
3. YELLOW : Connect to LED ground terminal of the remote Switch pin #7.
4. GREEN : Connect to the OPEN side of the Remote Switch pin #1 / +VDC .
5. BROWN : Connect to the CLOSE side of the Remote Switch pin #3 / +VDC .

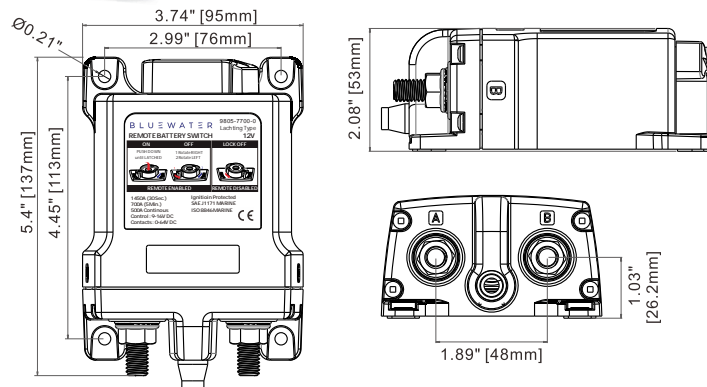
### Operation

- ▶ **Remote:** The momentary remote switch (SPDT)(On)-Off-(On) provide cross connct and/or battery isolation.
- ▶ **(ON):** Depress remote switch actuator to "ON" Remote LED indicates closed connection.  
Connect battery bank to load or combine banks.
- ▶ **(OFF):** Depress remote switch actuator to "OFF"  
Disconnect battery bank from load or isolate battery banks that are connected.

#### Manual / Override

To connect battery bank to load, or combine battery bank.	With Override Knob in (REMOTE position) push button until latched (Push to Latch On).	
To disconnect battery bank from load, or isolate battery banks taht are connected.	Rotate the Knob to right to release button from Latch On mode. Rotate Knob to left (REMOTE).	
To prevent remote operation	Rotate the Knob to right (LOCK OFF position)	
To secure for servicing	With Knob in (LOCK OFF) pass cable tie through hole.	

### Dimension



### Wiring

