

## Dual Studs Busbar

5 Gangs Ea 150Amp

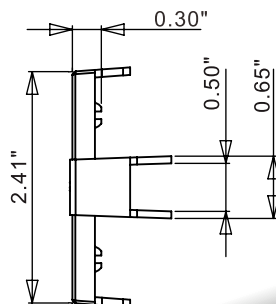
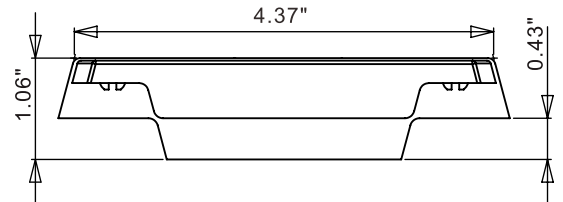
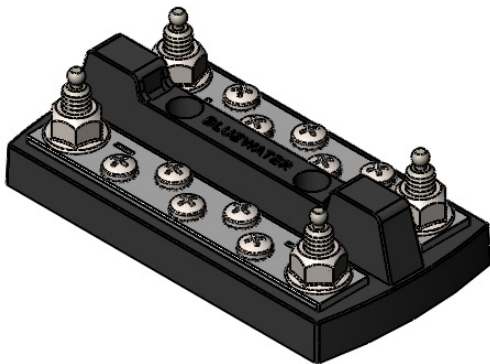
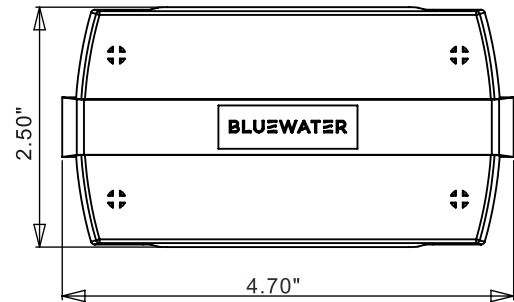
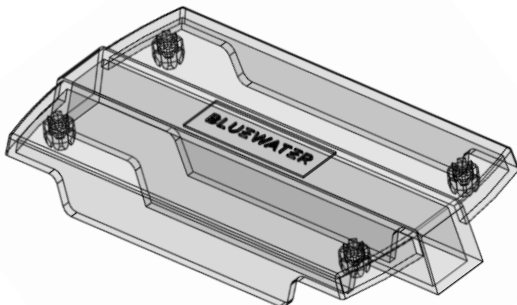
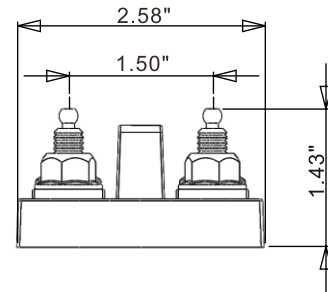
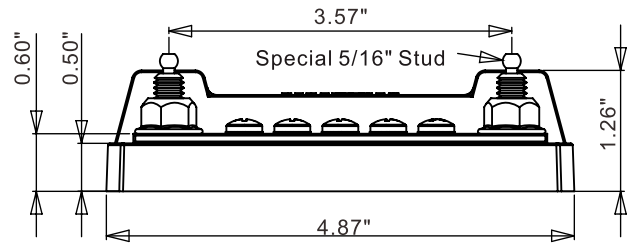
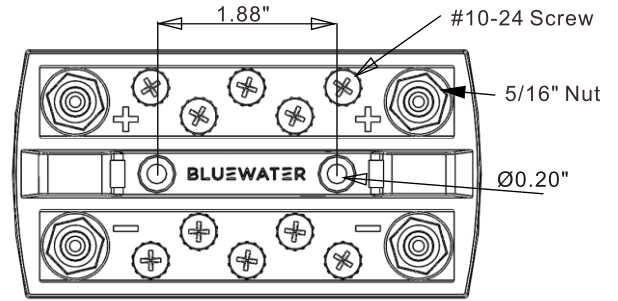
### Features

- ▶ Dual Studs 10 Gangs Terminal Blocks.
- ▶ Current Rated up to 150 Amp.
- ▶ Special 5/16" Stud Size Stainless Steel
- ▶ #10-24 Screw , 5 per Bus
- ▶ Mounting Holes 0.20"
- ▶ Distance between mounting holes : 1.88"
- ▶ Part # : 312723-B-022 (with Cover)

### Specification

Maximum Voltage	300V AC / 48V DC
Terminal Studs	2 per Bus
Terminal Type	#10-24 Screw / 5 per Bus
Terminal Stud Torque	140 in-lb (15.82 Nm)
Continuous Rating	130A AC / 150A DC
Base Material	Black Polycarbonate 94V-0
Cover Material	Clear Polycarbonate 94V-0
Bus Material	Tin-Plated Copper CDA 110/UNS11000
Screw Terminal Torque	18 in-lb (2.03 Nm)
Stud Torque	120in-lb (13.56 Nm)
Weight	0.61lb (0.28 kg)

### Part #: 312723-B-022 (Base+Cover)



\* We reserve the right to change specifications at any time without incurring any obligations!