

Common Busbar

10 Gang 150Amp

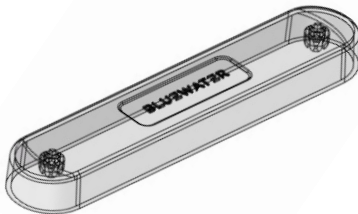
Features

- ▶ Common 10 Gang Terminal Blocks.
- ▶ Current Rated up to 150 Amp.
- ▶ 1/4" Stud Size Stainless Steel
- ▶ Mounting Holes 0.21", take 1/4" Screws
Distance between mounting holes : 5.25"
- ▶ Busbar Part # : 312301-B-020
- ▶ Cover Part # : 312301-B-021

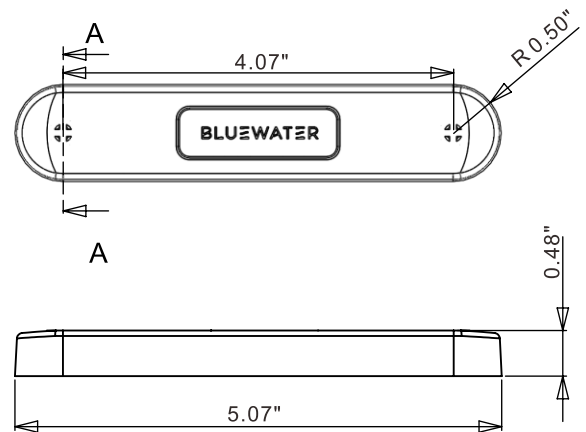
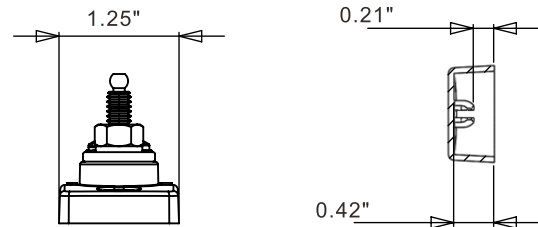
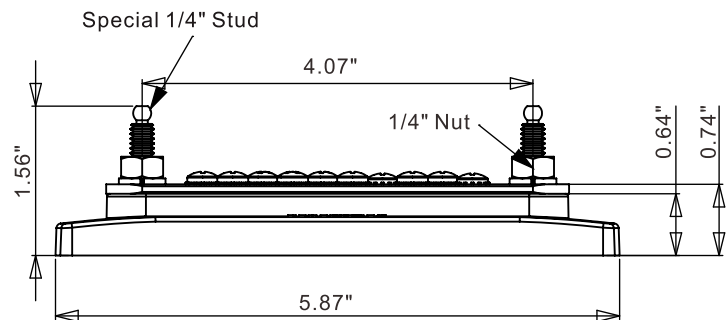
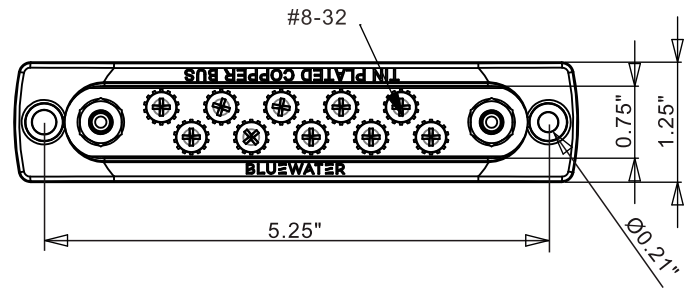
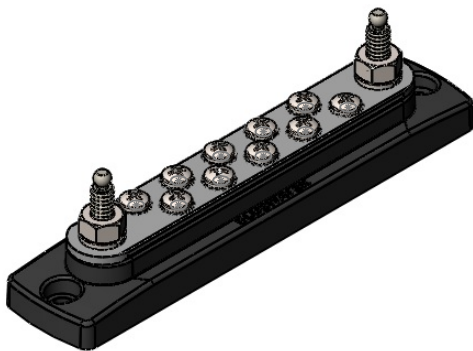
Specification

Maximum Voltage	300V AC / 48V DC
Terminal Studs	2
Terminal Type	1/4" Stud #8-32 Screw
Terminal Stud Torque	140 in-lb (15.82 Nm)
Continuous Rating	130A AC / 150A DC
Base Material	Black Polycarbonate 94V-0
Cover Material	Clear Polycarbonate 94V-0
Bus Material	Tin-Plated Copper CDA 110/UNS11000
Screw Terminal Torque	15 in-lb (1.69 Nm)
Stud Torque	60in-lb (6.78 Nm)
Weight	0.34lb (0.15 kg)

Cover Part #: 312301-B-021



Base Part #: 312301-B-020



* We reserve the right to change specifications at any time without incurring any obligations!