

# BLUΞWATERΞR

## Protective Hexboot Toggle Switch/Circuit Breaker

Bluewater full or half hexboot is the perfect complement to any line of toggle switches or circuit breakers. The boot is compatible with 15/32" threaded bushings and will provide extra protection against the elements in harsh environments.

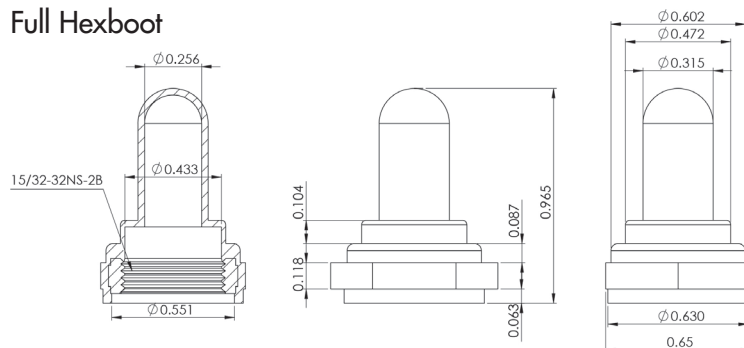
### Features

#### Highlights:

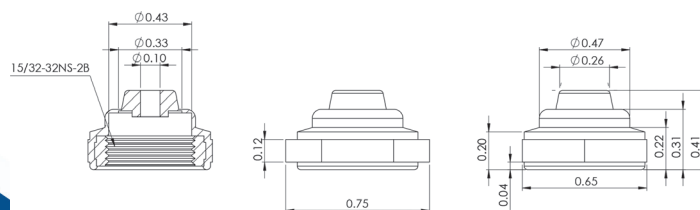
- Flexible tear-resistant silicone rubber overmolded onto a 15/32" brass hexnut
- Full hexboot completely covers toggle actuator and bushing
- Meets ROHS 2011/65/EU directive
- Inhibits the rotation of switches subjected to low frequency vibration
- Complementary, cost effective addition to Bluewater's toggle switches
- Different colors available upon request

### Dimensions

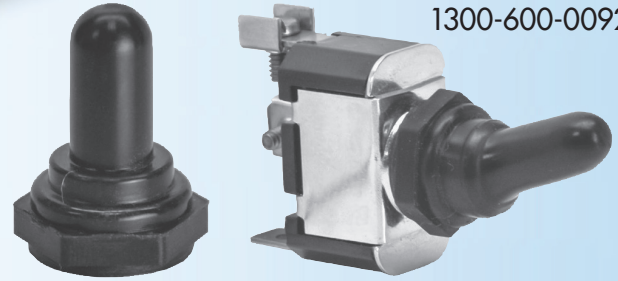
#### Full Hexboot



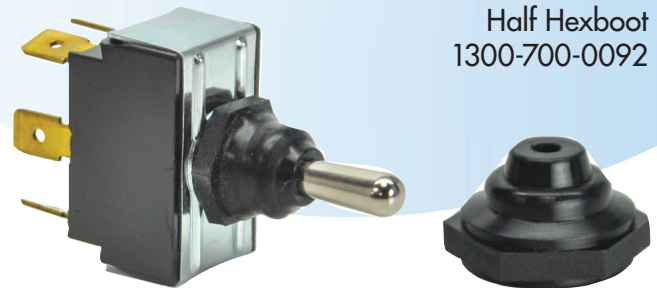
#### Half Hexboot



Full Hexboot  
1300-600-0092



Half Hexboot  
1300-700-0092



Circuit Breaker  
Black 1300400-0092  
Clear 1300411-0092



#### Circuit Breaker

