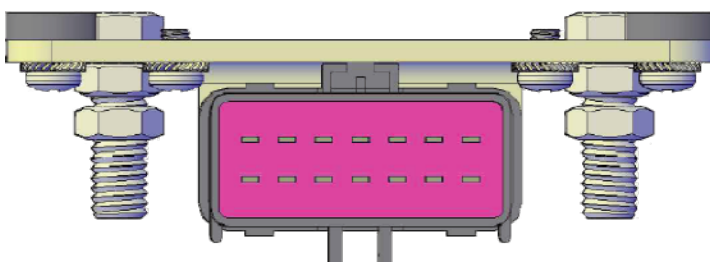
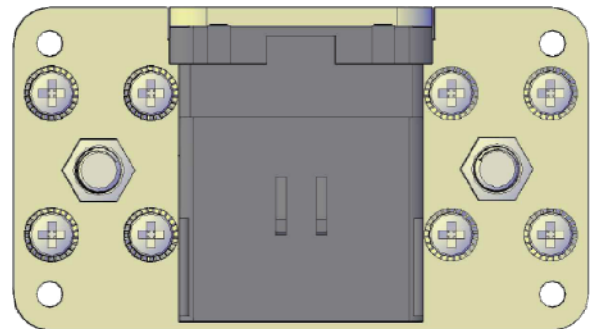
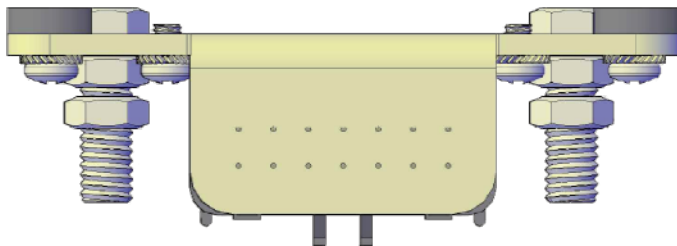
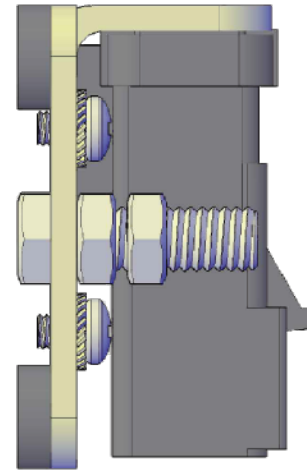
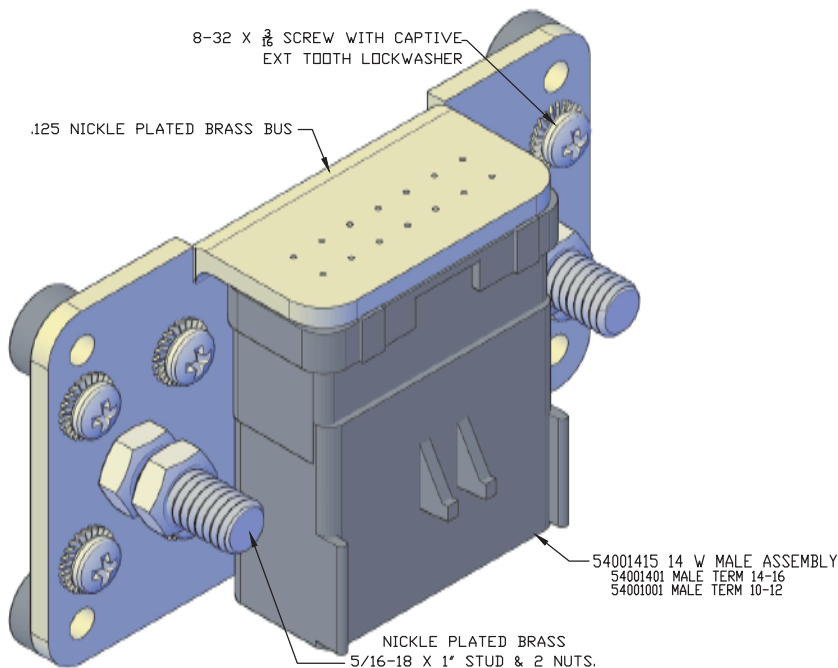
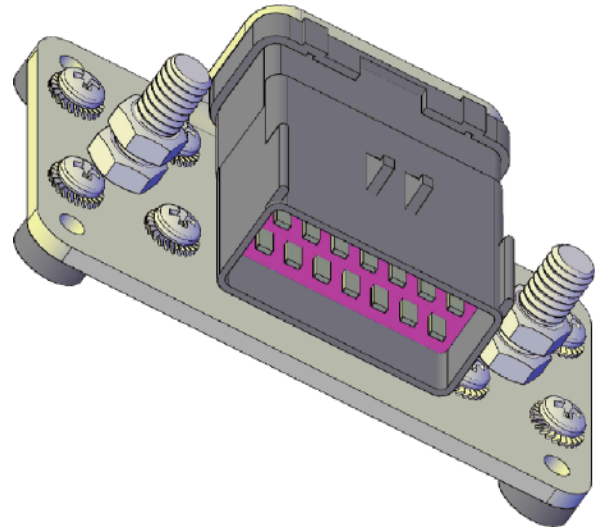


Bluewater Bus Bar

Specification

Features

- ▶ Nickle Plated Brass Bus
- ▶ 5/16 -18 x 1" Stud & 2 Nuts
- ▶ 8-32 x 3/16 Screw with Captive
- ▶ Ext Tooth Lock Washer
- ▶ 54001415 14W Male connector
- ▶ On board 54001001 Male Terminal 10-12





BLUEWATER		BlueWater Enterprises LLC	
DATE DRAWN 2017/17	DESCRIPTION New Busbar Single Connector	SCALE: 1:1	PART NO. REV
REV DATE			