

Manual Reset ATC Circuit Breaker

Specification

Description

Manual Reset ATC Circuit Breakers from BlueWater, These circuit breakers fit into a standard ATO or ATC fuse socket and type 3 manual reset thermal non-cycling circuit breakers will remain tripped until the operator resets them by pushing a button located on the breaker . typically used in auxiliary and accessory circuits in truck, bus, RVs and marine systems.

Cover is color-coded to amperage ratings, available in 5 amp, 6.5 amp, 7.5 amp, 10 amp, 15 amp, 20 amp, 25 amp and 30 amp current capacities for 12 volts DC use. The amperage rating and voltage rating are printed on the circuit breaker for easy identification.

Specification

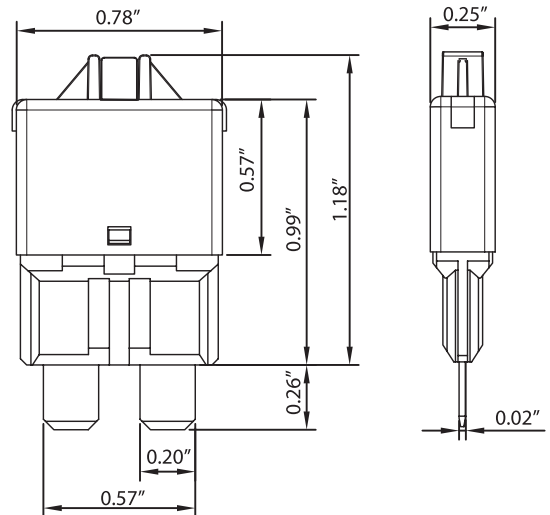
Reset Type	Manual Push Button
Number of Poles	Single Pole, Normal Closed, Thermal type breakers
Calibration@25°C	100% Hold, 135% Trip (percent of rating)
Max. Interrupting Capacity	2,000A @ 12Vdc
Operating Temperature	Rating -40°C to 85°C
Storage Temperature	Rating -40°C to 125°C
Termination	0.2" wide blades compatible with ATC type fuse blocks
Marking	Cover is color-coded to amperage ratings
Max. Current & Vol. Ratings	5-30A @ 12Vdc
Compliances	SAE J553, J1171 (Ignition Protected)
Materials	UL-Rated 94V0 thermoplastic body, Tin-plated copper alloy terminals



Electrical Characteristics

- Over-Load Percentage 100% : No Trip with 60 minutes.
- Over-Load Percentage 150% : Trip within 20 minutes
- Over-Load Percentage 200% : Trip within 60 sec.

Dimensions



Amp Rating

Amp	Color	Code	Picture
5	Tan	BM-05	
6	Moss Green	BM-06	
7.5	Brown	BM-75	
10	Red	BM-10	
15	Blue	BM-15	
20	Yellow	BM-20	
25	White	BM-25	
30	Green	BM-30	

