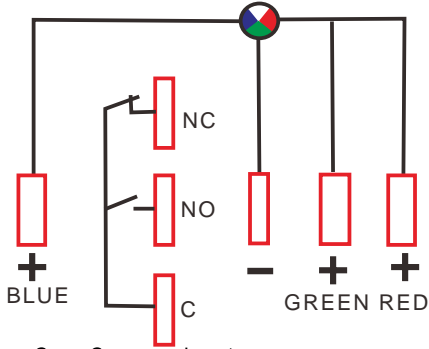
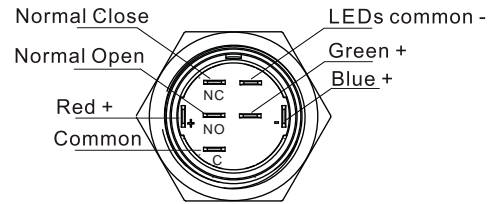
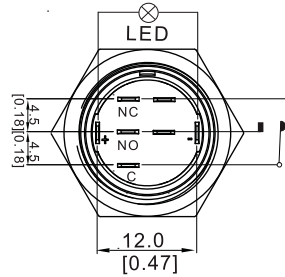
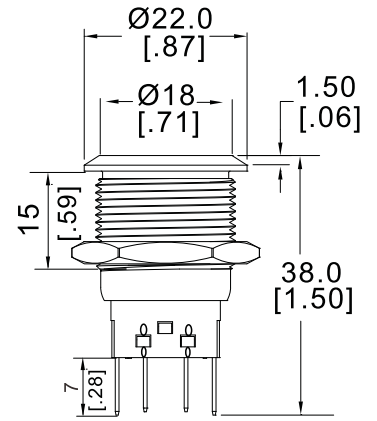
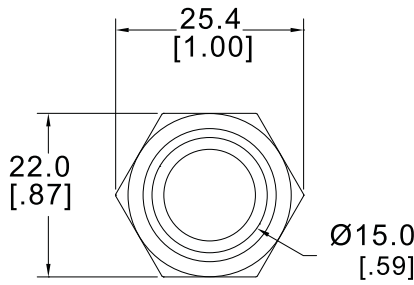
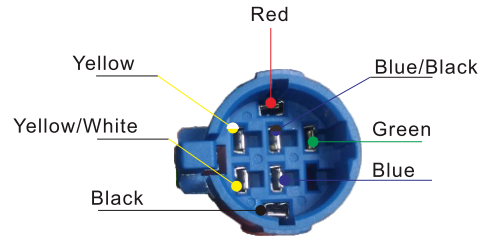


Metal Button Switch (Pin Type)

Mounting Hole Size	Ø .76"
Switch Rating	10A/12VDC
Switch combination	1NO1NC/2NO2NC
Operation Types	Resetable / Self-Locking
Head Sape	Flat
Lamp Type	Full Illuminated



C: Common Input
 NO: Normal Open, Push On C+NO
 NC: Normal Close, Push Off C+NC
 Red: red led Positive input .
 Blue: blue led Positive input.
 Green: green led Positive input.
 -: LEDs common Negative input



Part # 9150-2003 Momentary



Part # 9150-1003 Latching

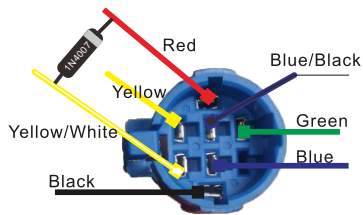


[US PATENT NO 10,777,370 B1](#)

Part # 9150-6306



Recommended Pump Installation



put a diode 1N4007 to bridge the Yellow/White and Red wires

Noted:
 The diode not installed will damage led

Tail Configuration	Pin Terminal
Switch Specifications	AC250/3A, DC12V/10A
Max. Current	10Amp/12VDC
Contact Resistance	< 50mΩ
Insulation Resistance	> 1000MΩ
Dielectric Intensity	2000VAC
Ambient Temperature	-20°C ~ +55°C
Mechanical Life	500,000 cycles
Electrical Life	10,000 cycles
Panel Thickness	1 ~ 10mm
Nut Torque	5~14Nm
Operation Pressure	About 3~5N
Operation Stroke	About 2.5mm
IP Protection Class	Front panel protection class to IP67
Plug Life Testing	10Amp / 10,000 Cyles
Impact Resistance	IK 10, Acceleration 20g
Salt Spary Resistance	Meet ASTMB117 & JIS-Z371 Std.

Material

Contact	Silver Alloy
Button	PC/Stainless Steel
Enclosure	304/Nickel Plated Brass/Stainless Steel
Base	PA66

LED Parameters

LED Type	Full Illuminate (LED)
Rated Voltage	6V/12V/24V/110V/220V
LED Color	R O Y G B W
LED Life	40,000 hours

Wire Color Code wire size 20awg

Green	Common Input
Red	Red led positive input
Blue/Black	Green led positive input
Blue	Normal Open
Black	Blue led positive input
Yellow	Normal Close
Yellow/white	LEDs common negative input