

## 19mm None LED Push Button Switch

IP 67 10Amp

### Features

- ▶ 10 Amp Electrical Rating at 12VDC
- ▶ IP67 Water proof Rating .
- ▶ Appearance material: Keypad: Stainless Steel.
- ▶ Electronic life : 50,000 cylces .
- ▶ Mechanical life : 500,000 cycles.
- ▶ Pin force: 50N, no loose or falls off phenomenon.

### Part s No.

Part Numbers	Latching
9150-1005	19mm flat head no led
9150-1006	19mm high round head no led
9150-1007	19mm dome head no led
Momentary	
9150-2005	19mm flat head no led
9150-2006	19mm high round headno led
9150-2007	19mm dome head no led
Harness Connector	
9150-6001	harness connector only

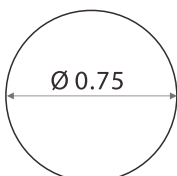
### Specification

Voltage Rating	12VDC
Max. Current	10 Amp/12VDC
Mechanical Life	500,000 Cycles
Electrical Life Contact	50,000 Cycles
Resistance Insulation	50 mΩ Maximum
Resistance	1000mΩ Miminum
Dielectric Strength	2,000 VAC
Operate Storage Temp	-20°C ~ +55°C
Action Trip	3mm
IP Protection Class	Front panel protection to IP67
Plug Life Testing	10 Amp / 10,000 Cycles
Impact Resistance	IK 10 , Acceleration 20g
Salt Spray Resistance	Meet ASTMB117 & JIS-Z371 Std.
Contact Material	Silver Alloy
Actuation Force	3.5 N
Panel Thickness	1-6mm
Mounting Nut Torque	5-14Nm
Body Material	Stainless Steel SS304

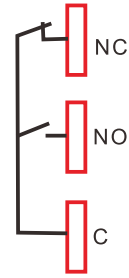
### Mounting

(in inch)

Recommended mounting Hole size

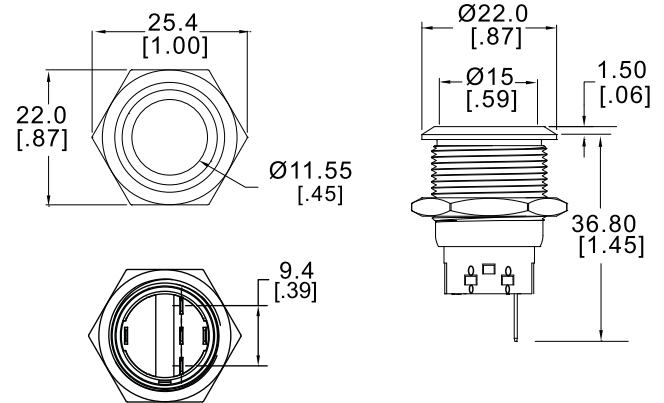


### Diagram



C: Common Input  
NO: Normal Open, Push On C+NO  
NC: Normal Close, Push Off C+NC

### Drawing



### Button Type



### Harness Connector

