

19mm Ring LED Push Button Switch

IP67 10Amp

Features

- ▶ 10 Amp Electrical Rating at 12VDC
- ▶ IP67 Water proof Rating .
- ▶ LED brightness: soft, service life : 4000h .
- ▶ Appearance material: Keypad: PC/Stainless Steel.
- ▶ Electronic life : 10,000 cycles .
- ▶ Mechanical life : 500,000 cycles.
- ▶ Pin force: 50N, no loose or falls off phenomenon.

Specification

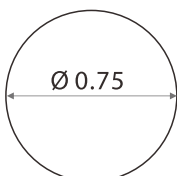
Part Numbers	Latching
9150-1000	19mm blue ring with blue led
9150-1001	19mm red ring with red led
9150-1100	19mm translucent ring with blue led
Momentary	
9150-2000	19mm blue ring with blue led
9150-2001	19mm red ring with red led
9150-2100	19mm translucent ring with blue led
Harness with wires	
9150-6006	5 wires harness with 6" long and 0.2" strip
9150-6001	harness connector only

Illuminated	Red or Blue LED
Voltage Rating	12VDC
Max. Current	10 Amp/12VDC
Mechanical Life	500,000 Cycles
Electrical Life Contact	10,000 Cycles
Resistance Insulation	50 mΩ Maximum
Resistance	1000mΩ Minimum
Dielectric Strength	2,000 VAC
Operate Storage Temp	-20°C ~ +55°C
Action Trip	3mm
IP Protection Class	Front panel protection to IP67
Plug Life Testing	10 Amp / 10,000 Cycles
Impact Resistance	IK 10 , Acceleration 20g
Salt Spray Resistance	Meet ASTMB117 & JIS-Z371 Std.
Contact Material	Silver Alloy
Actuation Force	3.5 N
Panel Thickness	1-6mm
Mounting Nut Torque	5-14Nm
Body Material	Stainless Steel SS304

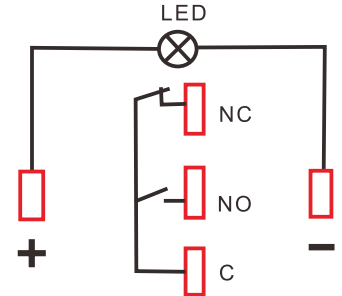
Mounting

(in inch)

Recommended mounting Hole size

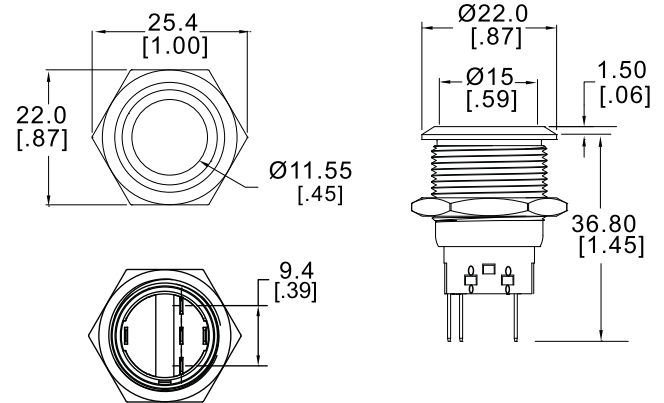


Diagram

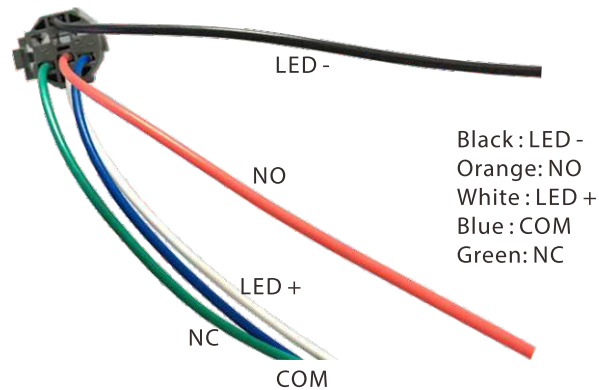


C: Common Input
 NO: Normal Open, Push On C+NO
 NC: Normal Close, Push Off C+NC
 - : LED Negative input .
 + : LED Positive input.

Drawing



Harness Wires



Black : LED -
 Orange: NO
 White : LED +
 Blue : COM
 Green: NC

Harness Connector

